



UPP80-2

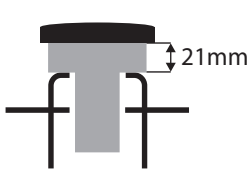
FUEL ANTI-SIPHON

ULTRA Plus Permanent

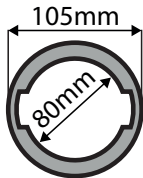


Technical specifications

Product details	
Filler neck type	80mm double bayonet
Device Type	Low Profile External
Locking method	Snap-off screws
Device material	Aluminium alloy
Weight	0.44 kg
Flow speed	150 L/min



Low-Profile External device



Double bayonet

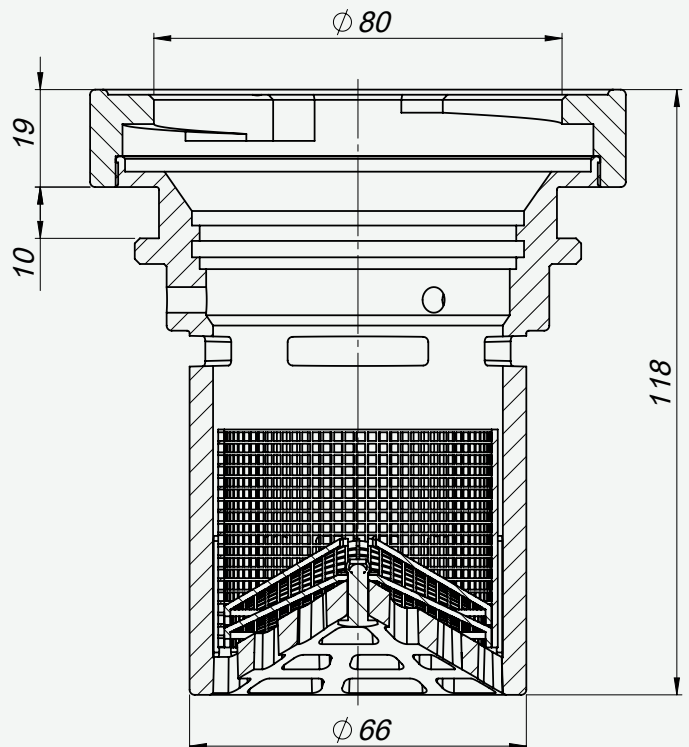
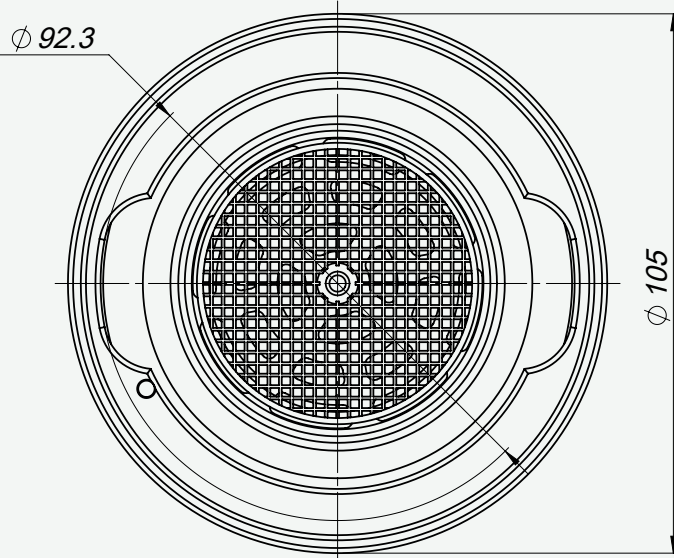


Anti-Spill Valve Available (ASV0003)

OEM fuel caps NOT compatible. Low-Profile cap required


Product dimensions (mm)

Use these dimensions to confirm the product will fit your vehicle

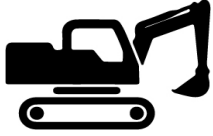


UPP80-2 Vehicle Application List


Truck vehicles fitted

	Manufacturer	Models
	DAF	CF75, CF85, XF Range
	Dennis Eagle	Refuse truck - Elite 6
	FAW	Some models
	IVECO	Stralis, EuroCargo (metal tank)
	MAN	All models
	Mercedes-Benz	All models (excluding Atego plastic tank)
	Mitsubishi	Canter Fuso some models
	Renault	Most models
	Terberg	Most models
	Volvo	Most models

Construction vehicles fitted

	Manufacturer	Models
	Atlas	Most models
	Hamm	GRW18, Z520D, HD99
	Hitachi	ZX250
	Hyster	Container handler
	John Deere	Harvester 7450
	Liebherr	Some models
	Sandvik	Some models
	<i>For more information on specific vehicles please contact us</i>	

Other vehicles & machinery

	Manufacturer	Models
	Other	<i>There are more vehicles with the same filler neck, please contact us for more details.</i>